

NSB 170FT *Blue Battery*™

Specifically designed for **unstable mains**



Superior cyclic performance and fast recharge for high potential **fuel savings** when used with hybrid gensets.

- Ideal for demanding environments with unstable AC power
- High modulus Polyphenylene Oxide (PPO) plastic materials designed to withstand extended elevated operating temperatures and maintain high battery compression essential for reliable operation
 - Non-halogenated, thermally sealed plastic casing and cover
 - Flame retardant (UL 94 V0) and LOI of at least 28%
- Operating temperature range -40°C to +65°C
- High cycling and superior fast recharge performance
- Modified electrochemistry for repeated outages
 - Optimized paste additives and grid alloy
 - Less reliance on full recharge following an outage
 - No need for regular overcharge factor
 - Capable of uncontrolled Partial State of Charge (uPSOC)* operation without loss of capacity

* For a detailed description of uPSOC, please see the *Blue Star Technology*™ section of the Telecom Application Manual

Visit our **website** to find out more www.northstarbattery.com



NSB 170FT Blue Battery™

Technical Specifications



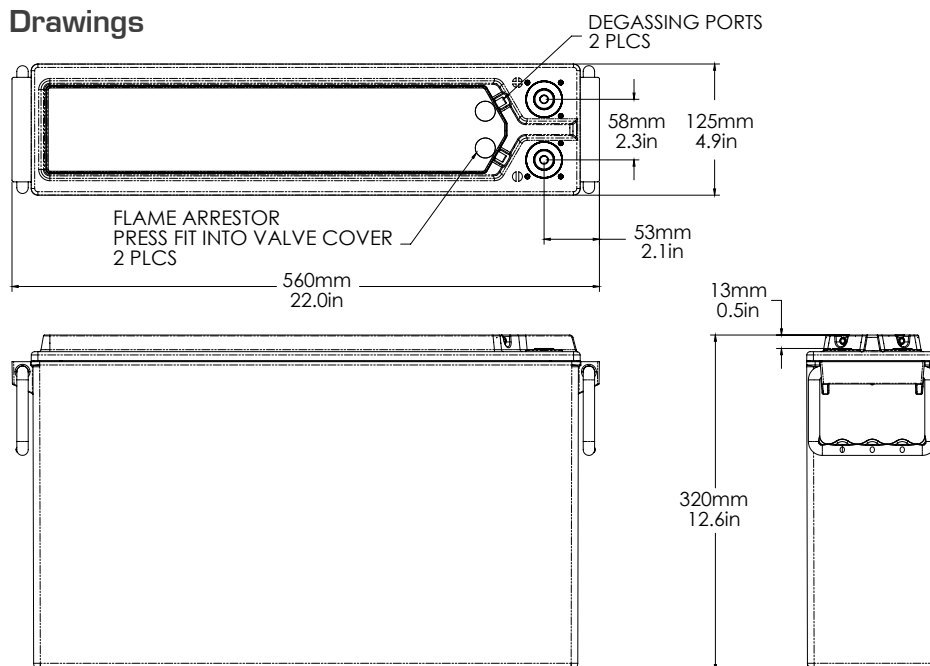
Electrical

10 hour capacity to 1.80 VPC @ 25°C (77°F)	141 Ah
8 hour capacity to 1.75 VPC @ 25°C (77°F)	140 Ah
10 hour capacity to 1.80 VPC @ 20°C (68°F)	139 Ah
Float Voltage	2.27 +/- 0.02 VPC @ 25°C (77°F)
Nominal Voltage	12 V
Impedance (1kHz)	2.3 mΩ @ 25°C (77°F)
Conductance	2,201 S
Short Circuit Current	6,000 A
Maximum Charge Current	no limit

Dimensions

Height	320 mm (12.6 in)	Weight	58 kg (128 lbs)
Width	125 mm (4.9 in)	Terminal	Female M8 x 1.25
Depth	560 mm (22.0 in)	Terminal Torque	8.0 Nm (71 in-lbs)

Drawings



All NorthStar batteries are compliant with: Telcordia SR4228, Bellcore GR-63-Core, Issue 1; British, German, and Russian telecom standards; UL approved. NorthStar is registered to ISO 9001 and ISO 14001.

NorthStar in the Americas

NorthStar Battery Company LLC
4000 Continental Way
Springfield, MO, 65803,
United States of America
info@northstarbattery.com
Tel: +1 417 575 8200
Fax: +1 417 575 8250

NorthStar in Europe, Middle East, Africa

SiteTel Sweden AB
Staffans Väg 6-8
Box 7039, SE-192 07 Sollentuna,
Stockholm, Sweden
emea@northstarsitetel.com
Tel: +46 8 410 102 00
Fax: +46 8 638 06 00

NorthStar in Asia-Pacific

SiteTel Shanghai Co Ltd
Building 9, 1201 Gui Qiao Road
Jin Qiao Export Process Zone,
201206 Shanghai, China
asia@northstarsitetel.com
Tel: +86 21 5899 7610
Fax: +86 21 3872 2201

www.northstarbattery.com

