

# NSB 180FT Red Battery™

Specifically designed for **stable mains**



**Red Star Technology™** is the latest breakthrough in battery performance, delivering **exceptionally long float life**.

- **Red Star Technology™** uses pure lead grid developed to provide exceptionally long float life for telecommunication applications under stable AC grid conditions
- 15 year float life at 20°C (68°F)
- Operating temperature range -40°C to +65°C
- Superior design float life at elevated temperature
- State-of-the-art automated manufacturing ensures consistency and reliability
- Advanced 3 stage terminal design to ensure leak-free operation
  - Female M8 brass terminals provide maximum performance
- High energy density
- High modulus Polyphenylene Oxide (PPO) plastic materials designed to withstand extended elevated operating temperatures and maintain high battery compression essential for reliable operation
  - Non-halogenated, thermally sealed plastic casing and cover
  - Flame retardant (UL 94 V0) and LOI of at least 28%
- Integral handles and front access terminals ensure ease of installation and maintenance
- EUROBAT design life definition: Long Life
- 2 year shelf life at 25°C (77°F)
- Approved as non-hazardous cargo for ground, sea, and air transport
  - DOT 49CFR173.159(d), (i) and (ii)

Visit our **website** to find out more [www.northstarbattery.com](http://www.northstarbattery.com)



# NSB 180FT Red Battery™

## Nominal Technical Specifications



### Electrical

	International Standard 20°C (68°F)	North American Standard 25°C (77°F)
8 hour capacity to 1.75 VPC	176 Ah	179 Ah
10 hour capacity to 1.80 VPC	178 Ah	180 Ah
Float Voltage	2.29 +/- 0.02 VPC	2.27 +/- 0.02 VPC
Nominal Voltage	12 V	
Impedance [1kHz]	2.8 mΩ @ 25°C (77°F)	
Conductance	1,843 S	
Short Circuit Current	5,000 A	

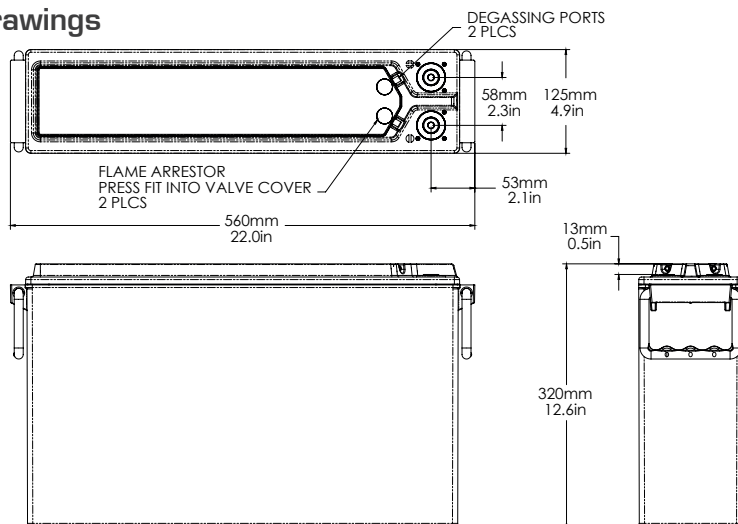
### Dimensions

Height	320 mm (12.6 in)	Weight	59 kg (129 lbs)
Width	125 mm (4.9 in)	Terminal	Female M8 x 1.25
Depth	560 mm (22.0 in)	Terminal Torque	8.0 Nm (71 in-lbs)

### Ah Capacity Ratings @ 25°C (77°F)

Capacity Discharge / hours	1	2	4	8	10
Capacity @ 25°C / Ah	144	157	170	179	180
End of Discharge / VPC	1.70	1.75	1.75	1.75	1.80

### Drawings



All NorthStar batteries are compliant with: Telcordia SR4228, Bellcore GR-63-Core, Issue 1; British, German, and Russian telecom standards; UL approved. NorthStar is registered to ISO 9001 and ISO 14001.

#### NorthStar in the Americas

NorthStar Battery Company LLC  
4000 Continental Way  
Springfield, MO, 65803,  
United States of America  
info@northstarbattery.com  
Tel: +1 417 575 8200  
Fax: +1 417 575 8250

#### NorthStar in Europe, Middle East, Africa

SiteTel Sweden AB  
Staffans Väg 6-8  
Box 7039, SE-192 07 Sollentuna,  
Stockholm, Sweden  
emea@northstarsitetel.com  
Tel: +46 8 410 102 00  
Fax: +46 8 638 06 00

#### NorthStar in Asia-Pacific

SiteTel Shanghai Co Ltd  
Building 9, 1201 Gui Qiao Road  
Jin Qiao Export Process Zone,  
201206 Shanghai, China  
asia@northstarsitetel.com  
Tel: +86 21 5899 7610  
Fax: +86 21 3872 2201

[www.northstarbattery.com](http://www.northstarbattery.com)

