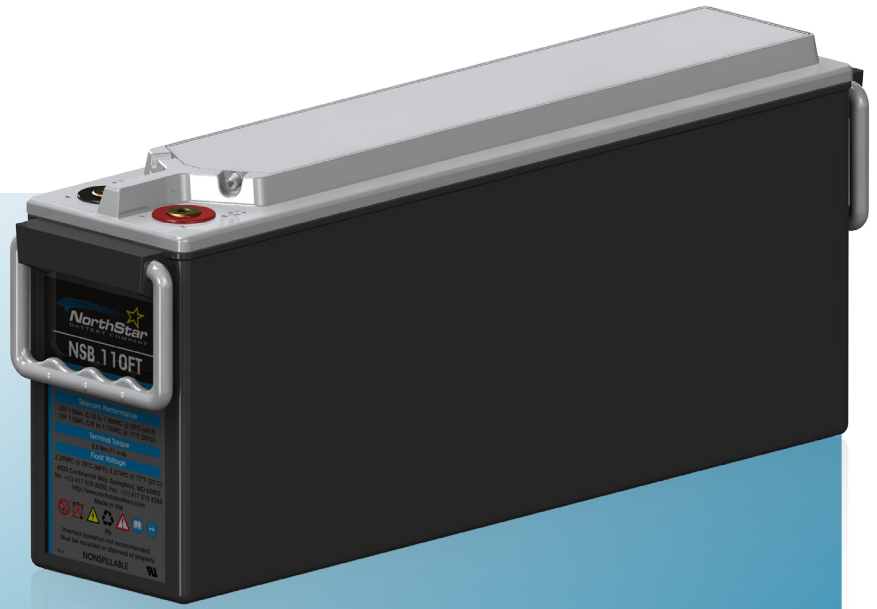


Product Data Sheet

NSB 110FT Silver



Specifically designed
for semi-stable
mains applications

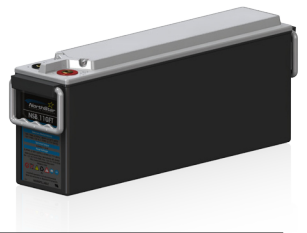


- Long design life
- High cycling and fast recharge performance
- State of the art manufacturing automation ensures consistency and reliability
- Advanced 3 stage terminal design to ensure leak free operation
 - Female M8 brass terminals provide maximum performance
- High modulus polyphenylene plastic materials designed to withstand extended elevated operating temperatures and maintain high battery compression essential for reliable operation
- Thermally sealed plastic casing and cover
 - Flame retardant (UL 94 VO) and LOI of at least 28%
- Integral handles and front access terminals ensure ease of installation and maintenance
- 2 year shelf life at 25°C (77°F)
- Approved as non-hazardous cargo for ground, sea, and air transport
 - DOT 49CFR173.159(d), (i) and (ii)



Product Data Sheet

NSB 110FT Silver



Technical Specifications

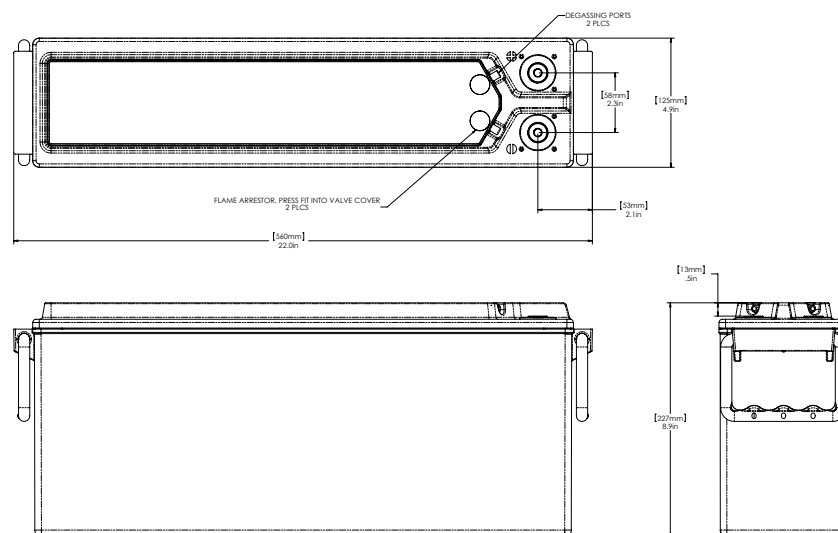
	International Standards 20°C (68°F)	NA Standards 77°F (25°C)
8 hour capacity to 1.75 Volts/Cell	108 Ah	110 Ah
10 hour capacity to 1.80 Volts/Cell	110 Ah	112 Ah
Float Voltage	2.29 +/- 0.02 Volts/Cell	2.27 +/- 0.02 Volts/Cell
Nominal Voltage	12 V	
Impedance (1kHz)	3.2 mΩ @ 25 °C (77 °F)	
Conductance	1755 S	
Short Circuit Current	3,800 A	

Measurements

Height	227 mm (8.9 in)
Width	125 mm (4.9 in)
Depth	560 mm (22.0 in)
Weight	39 kg (85 lbs)
Terminal	Female M8 leak proof
Terminal Torque	8.0 Nm (71 in-lbs)

Ah Capacity Ratings at 25°C (77°F)

Capacity discharge (hours)	1	2	4	8	10
Capacity @ 25°/Ah	84	92	100	110	112
End of discharge (Volts)	1.70	1.75	1.75	1.75	1.80



NorthStar in the Americas
 NorthStar Battery Company LLC
 4000 Continental Way
 Springfield, MO 65803
 USA
 Tel: (+1) 417 575 8200
 Fax: (+1) 417 575 8250
 info@northstarbattery.com
 www.northstarbattery.com

NorthStar in Europe, Africa,
 Middle East
 SiteTel Sweden AB
 Staffans Väg 6-8
 Box 7039
 SE-192 07 Sollentuna
 Sweden
 Tel. +46 8 410 102 00
 Fax. +46 8 638 06 00
 europe@northstarbattery.com

NorthStar in Asia-Pacific
 SiteTel Shanghai Co Ltd
 Building 9, 1201 Gui Qiao Road
 Jin Qiao Export Process Zone
 201206 Shanghai
 China
 Tel. +86 21 5899 7610
 Fax. +86 21 3872 2201
 asia@northstarbattery.com



Form: SES-542-05-03 Issued: 10-13-10 ECO: 1374-S10

All NorthStar products are compliant with:

- Telcordia SR4228, Bellcore GR-63-Core, Issue 1
- British, German, and Russian telecom standards
- UL Approved

NorthStar is Registered to ISO 9001 & ISO 14001