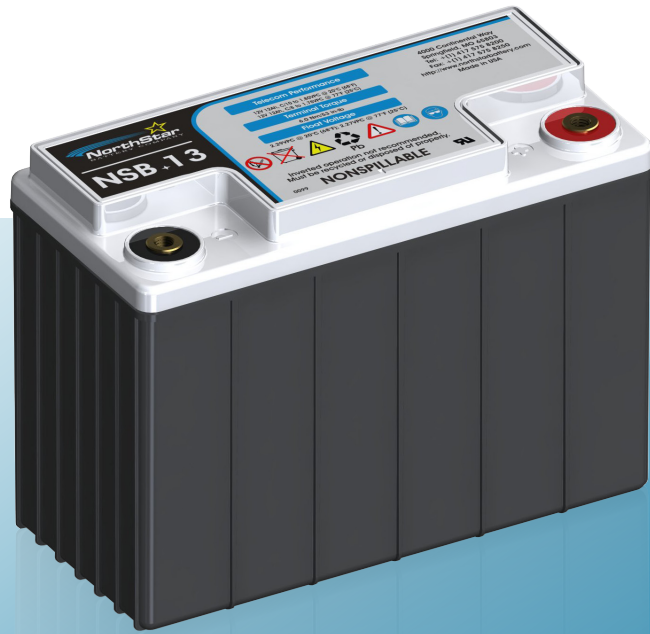


Product Data Sheet

NSB 13 Silver



Specifically designed
for semi-stable
mains applications



- Long design life
- High cycling and fast recharge performance
- State of the art manufacturing automation ensures consistency and reliability
- Advanced 3 stage terminal design to ensure leak free operation
 - Female M6 brass terminals provide maximum performance
- High modulus polyphenylene plastic materials designed to withstand extended elevated operating temperatures and maintain high battery compression essential for reliable operation
- Thermally sealed plastic casing and cover
 - Flame retardant (UL 94 VO) and LOI of at least 28%
- Front access terminals ensure ease of installation and maintenance
- 2 year shelf life at 25°C (77°F)
- Approved as non-hazardous cargo for ground, sea, and air transport
 - DOT 49CFR173.159(d), (i) and (ii)



Product Data Sheet

NSB 13 Silver



Technical Specifications

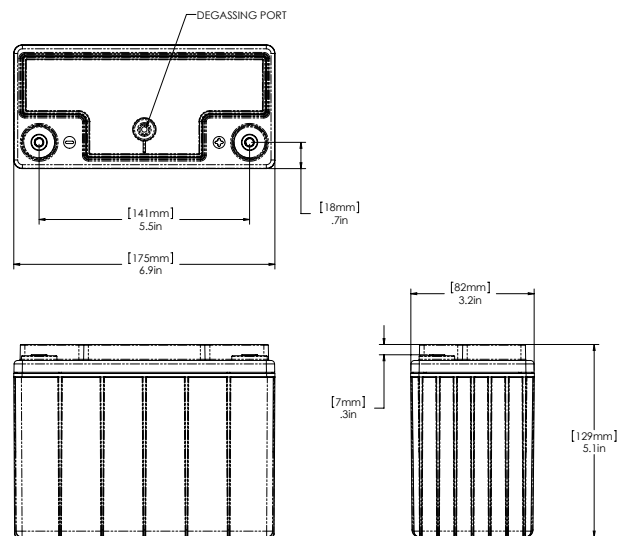
	International Standards 20°C (68°F)	NA Standards 77°F (25°C)
8 hour capacity to 1.75 Volts/Cell	12 Ah	12 Ah
10 hour capacity to 1.80 Volts/Cell	12 Ah	12 Ah
Float Voltage	2.29 +/- 0.02 Volts/Cell	2.27 +/- 0.02 Volts/Cell
Nominal Voltage	12 V	
Impedance (1kHz)	8.9 mΩ @ 25 °C (77 °F)	
Conductance	409 S	
Short Circuit Current	600 A	

Measurements

Height	129 mm (5.1 in)
Width	82 mm (3.2 in)
Depth	175 mm (6.9 in)
Weight	6 kg (12 lbs)
Terminal	Female M6 leak proof
Terminal Torque	6.0 Nm (53 in-lbs)

Ah Capacity Ratings at 25°C (77°F)

Capacity discharge (hours)	1	2	4	8	10
Capacity @ 25°/Ah	10	11	11	12	12
End of discharge (Volts)	1.70	1.75	1.75	1.75	1.80



NorthStar in the Americas
 NorthStar Battery Company LLC
 4000 Continental Way
 Springfield, MO 65803
 USA
 Tel: (+1) 417 575 8200
 Fax: (+1) 417 575 8250
 info@northstarbattery.com
 www.northstarbattery.com

NorthStar in Europe, Africa,
 Middle East
 SiteTel Sweden AB
 Staffans Väg 6-8
 Box 7039
 SE-192 07 Sollentuna
 Sweden
 Tel. +46 8 410 102 00
 Fax. +46 8 638 06 00
 europe@northstarbattery.com

NorthStar in Asia-Pacific
 SiteTel Shanghai Co Ltd
 Building 9, 1201 Gui Qiao Road
 Jin Qiao Export Process Zone
 201206 Shanghai
 China
 Tel. +86 21 5899 7610
 Fax. +86 21 3872 2201
 asia@northstarbattery.com



Form: SES-542-38-04 Issued: 10-13-10 ECO: 1376-S10

All NorthStar products are compliant with:

- Telcordia SR4228, Bellcore GR-63-Core, Issue 1
- British, German, and Russian telecom standards
- UL Approved

NorthStar is Registered to ISO 9001 & ISO 14001