

Product Data Sheet

NSB 12-225FT



Specifically designed
and engineered for
mission critical
applications



- Performance excels at high rates of discharge and recharge
- Advanced automation in manufacturing processes ensure consistency and reliability
- Advanced AGM materials significantly enhance performance and reliability
- Exceptional performance under deep or shallow cyclic discharge applications
- Operational within an extreme temperature range
- Advanced 3 stage terminal design to ensure leak free operation
 - Female M8 brass terminals provide maximum performance
- Thermally sealed PPO plastic casing and cover
 - Flame retardant (UL 94 VO) and LOI of at least 28%
 - Designed to withstand extreme degrees of temperature and pressure
- Approved as non-hazardous cargo for ground, sea and air transport
 - DOT 49CFR173.159(d), (i) and (ii)



Product Data Sheet

NSB 12-225FT



Technical Specifications

	International Standards 20°C (68°F)	NA Standards 77°F (25°C)
4C (15 min.) Power to 1.67 VPC	211 Watts/cell	225 Watts/cell
Float Voltage	2.29 +/- 0.02 Volts/Cell	2.27 +/- 0.02 Volts/Cell
Impedance (1kHz)	4.3 mΩ @ 25 °C (77 °F)	
Conductance	1063 S	
Nominal Voltage	12 V	
Short Circuit Current	2,100 A	
Shelf Life	2 years	

Measurements

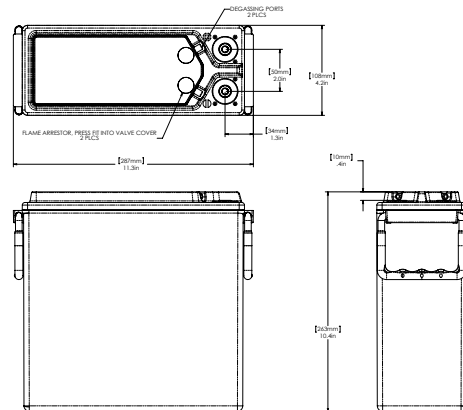
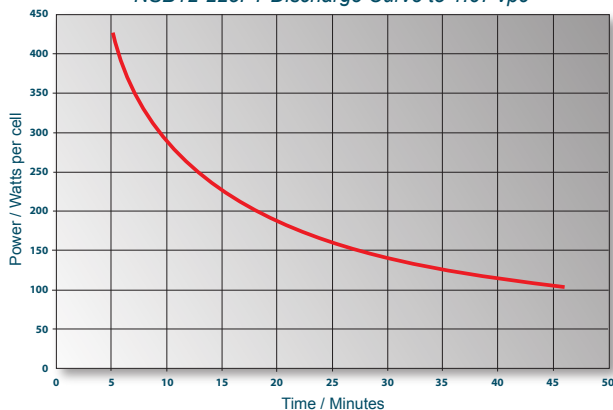
Height	263 mm (10.4 in)	266 mm (10.5 in) (w/Front Terminal Adapter*)
Width	108 mm (4.2 in)	
Depth	287 mm (11.3 in)	308 mm (12.1 in) (w/Front Terminal Adapter*)
Weight	22 kg (48 lbs)	
Terminal Torque	8.0 Nm (71 in-lbs)	
Terminal	Female M8 Leak Proof	Male M8 (w/Front Terminal Adapter*)

*For more information please contact NorthStar Battery Customer Service

Constant Power Discharge Ratings Duration (minutes) (Watts/cell at 25°C/77F)

End of discharge (Volts)	2	5	10	15	20	30	45	60	120
1.75	612	407	279	218	181	138	103	83	48
1.70	647	422	287	223	185	140	105	84	49
1.67	664	430	290	225	187	141	105	85	49
1.65	674	433	292	227	188	142	106	85	49
1.60	693	440	295	228	189	142	106	85	49

NSB12-225FT Discharge Curve to 1.67 vpc



NorthStar in the Americas
 NorthStar Battery Company LLC
 4000 Continental Way
 Springfield, MO 65803
 USA
 Tel: (+1) 417 575 8200
 Fax: (+1) 417 575 8250
 info@northstarbattery.com
 www.northstarbattery.com

NorthStar in Europe, Africa,
 Middle East
 SiteTel Sweden AB
 Staffans Väg 6-8
 Box 7039
 SE-192 07 Sollentuna
 Sweden
 Tel. +46 8 410 102 00
 Fax. +46 8 638 06 00
 europe@northstarbattery.com

NorthStar in Asia-Pacific
 SiteTel Shanghai Co Ltd
 Building 9, 1201 Gui Qiao Road
 Jin Qiao Export Process Zone
 201206 Shanghai
 China
 Tel. +86 21 5899 7610
 Fax. +86 21 3872 2201
 asia@northstarbattery.com



Form: SES-542-42-01 Issued: 09-27-10 ECO: 1398-S10

All NorthStar products are compliant with:

- Telcordia SR4228, Bellcore GR-63-Core, Issue 1
- British, German, and Russian telecom standards
- UL Approved

NorthStar is Registered to ISO 9001 & ISO 14001