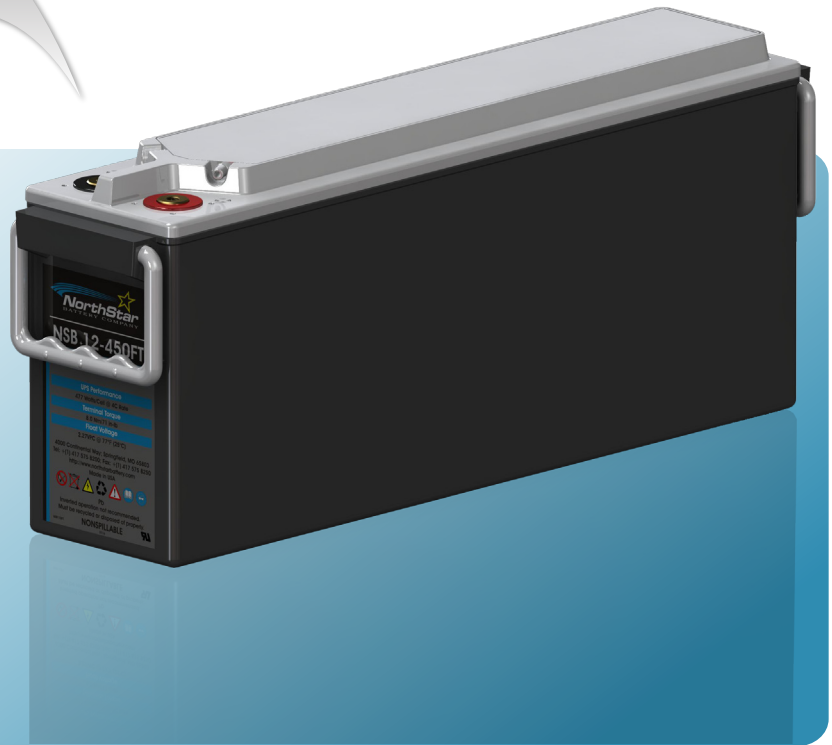


Product Data Sheet

NSB 12-450FT



Specifically designed
and engineered for
mission critical
applications

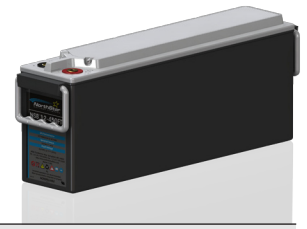


- Performance excels at high rates of discharge and recharge
- Advanced automation in manufacturing processes ensure consistency and reliability
- Advanced AGM materials significantly enhance performance and reliability
- Exceptional performance under deep or shallow cyclic discharge applications
- Operational within an extreme temperature range
- Advanced 3 stage terminal design to ensure leak free operation
 - Female M8 brass terminals provide maximum performance
- Thermally sealed PPO plastic casing and cover
 - Flame retardant (UL 94 VO) and LOI of at least 28%
 - Designed to withstand extreme degrees of temperature and pressure
- Approved as non-hazardous cargo for ground, sea and air transport
 - DOT 49CFR173.159(d), (i) and (ii)



Product Data Sheet

NSB 12-450FT



Technical Specifications

	International Standards 20°C (68°F)	NA Standards 77°F (25°C)
4C (15 min.) Power to 1.67 VPC	448 Watts/cell	477 Watts/cell
Float Voltage	2.29 +/- 0.02 Volts/Cell	2.27 +/- 0.02 Volts/Cell
Impedance (1kHz)	3.2 mΩ @ 25 °C (77 °F)	
Conductance	1755 S	
Nominal Voltage	12 V	
Short Circuit Current	3,800 A	
Shelf Life	2 years	

Measurements

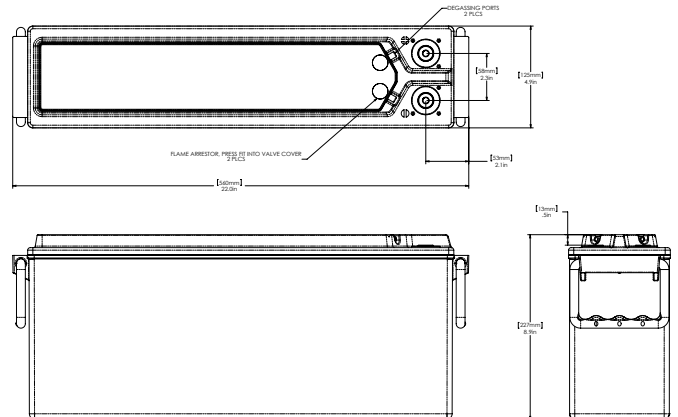
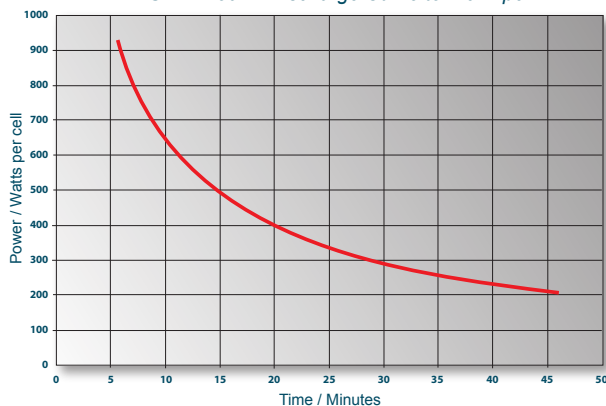
Height	227 mm (8.9 in)	230 mm (9.1 in) (w/Front Terminal Adapter*)
Width	125 mm (4.9 in)	
Depth	560 mm (22.0 in)	
Weight	39 kg (85 lbs)	
Terminal Torque	8.0 Nm (71 in-lbs)	
Terminal	Female M8 Leak Proof	Male M6 (w/Front Terminal Adapter*)

*For more information please contact NorthStar Battery Customer Service

Constant Power Discharge Ratings Duration (minutes) (Watts/cell at 25°C/77F)

End of discharge (Volts)	2	5	10	15	20	30	45	60	120
1.75	1218	850	583	451	371	277	203	162	91
1.70	1318	901	610	467	384	285	208	164	92
1.67	1372	929	624	477	390	288	210	166	92
1.65	1406	945	632	483	393	290	211	167	93
1.60	1478	979	648	493	400	294	213	168	93

NSB12-450FT Discharge Curve to 1.67 vpc



NorthStar in the Americas
 NorthStar Battery Company LLC
 4000 Continental Way
 Springfield, MO 65803
 USA
 Tel: (+1) 417 575 8200
 Fax: (+1) 417 575 8250
 info@northstarbattery.com
 www.northstarbattery.com

NorthStar in Europe, Africa,
 Middle East
 SiteTel Sweden AB
 Staffans Väg 6-8
 Box 7039
 SE-192 07 Sollentuna
 Sweden
 Tel. +46 8 410 102 00
 Fax. +46 8 638 06 00
 europe@northstarbattery.com

NorthStar in Asia-Pacific
 SiteTel Shanghai Co Ltd
 Building 9, 1201 Gui Qiao Road
 Jin Qiao Export Process Zone
 201206 Shanghai
 China
 Tel. +86 21 5899 7610
 Fax. +86 21 3872 2201
 asia@northstarbattery.com



Form: SES-542-40-03 Issued: 09-27-10 ECO: xxxx-S10

All NorthStar products are compliant with:

- Telcordia SR4228, Bellcore GR-63-Core, Issue 1
- British, German, and Russian telecom standards
- UL Approved

NorthStar is Registered to ISO 9001 & ISO 14001