

Product Data Sheet

NSB 12-600FT



Specifically designed
and engineered for
mission critical
applications

- Performance excels at high rates of discharge and recharge
- Advanced automation in manufacturing processes ensure consistency and reliability
- Advanced AGM materials significantly enhance performance and reliability
- Exceptional performance under deep or shallow cyclic discharge applications
- Operational within an extreme temperature range
- Advanced 3 stage terminal design to ensure leak free operation
 - Female M8 brass terminals provide maximum performance
- Thermally sealed PPO plastic casing and cover
 - Flame retardant (UL 94 VO) and LOI of at least 28%
 - Designed to withstand extreme degrees of temperature and pressure
- Approved as non-hazardous cargo for ground, sea and air transport
 - DOT 49CFR173.159(d), (i) and (ii)



Product Data Sheet

NSB 12-600FT



Technical Specifications

	International Standards 20°C (68°F)	NA Standards 77°F (25°C)
4C (15 min.) Power to 1.67 VPC	588 Watts/cell	627 Watts/cell
Float Voltage	2.29 +/- 0.02 Volts/Cell	2.27 +/- 0.02 Volts/Cell
Impedance (1kHz)	2.7 mΩ @ 25 °C (77 °F)	
Conductance	2113 S	
Nominal Voltage	12 V	
Short Circuit Current	6,000 A	
Shelf Life	2 years	

Measurements

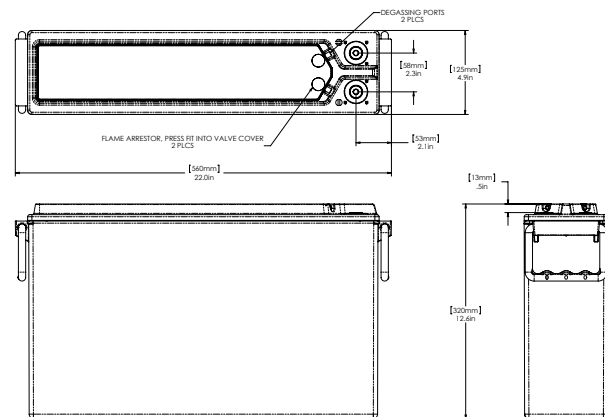
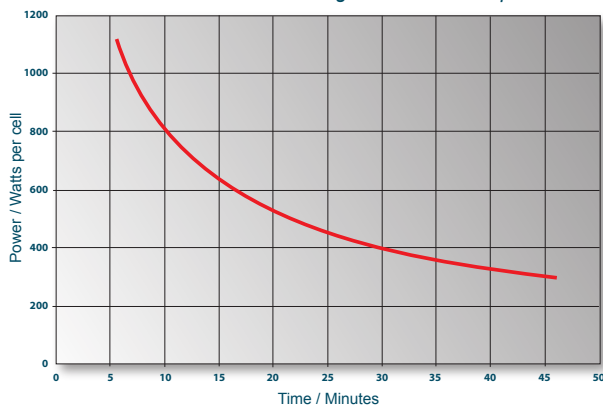
Height	320 mm (12.6 in)	323 mm (12.7 in) (w/Front Terminal Adapter*)
Width	125 mm (4.9 in)	
Depth	560 mm (22.0 in)	
Weight	58 kg (128 lbs)	
Terminal Torque	8.0 Nm (71 in-lbs)	
Terminal	Female M8 Leak Proof	Male M6 (w/Front Terminal Adapter*)

*For more information please contact NorthStar Battery Customer Service

Constant Power Discharge Ratings Duration (minutes) (Watts/cell at 25°C/77F)

End of discharge (Volts)	2	5	10	15	20	30	45	60	120
1.75	1440	1031	736	585	492	378	285	231	135
1.70	1517	1087	772	613	513	393	295	239	139
1.67	1564	1117	792	627	524	400	300	242	140
1.65	1596	1136	803	635	530	405	303	244	141
1.60	1677	1179	827	651	542	412	308	248	142

NSB12-600FT Discharge Curve to 1.67 vpc



NorthStar in the Americas
NorthStar Battery Company LLC
4000 Continental Way
Springfield, MO 65803
USA
Tel: (+1) 417 575 8200
Fax: (+1) 417 575 8250
info@northstarbattery.com
www.northstarbattery.com

NorthStar in Europe, Africa,
Middle East
SiteTel Sweden AB
Staffans Väg 6-8
Box 7039
SE-192 07 Sollentuna
Sweden
Tel. +46 8 410 102 00
Fax. +46 8 638 06 00
europe@northstarbattery.com

NorthStar in Asia-Pacific
SiteTel Shanghai Co Ltd
Building 9, 1201 Gui Qiao Road
Jin Qiao Export Process Zone
201206 Shanghai
China
Tel. +86 21 5899 7610
Fax. +86 21 3872 2201
asia@northstarbattery.com



Form: SES-542-33-05 Issued: 11-05-10 ECO: 1398-S10

All NorthStar products are compliant with:

- Telcordia SR4228, Bellcore GR-63-Core, Issue 1
- British, German, and Russian telecom standards
- UL Approved

NorthStar is Registered to ISO 9001 & ISO 14001